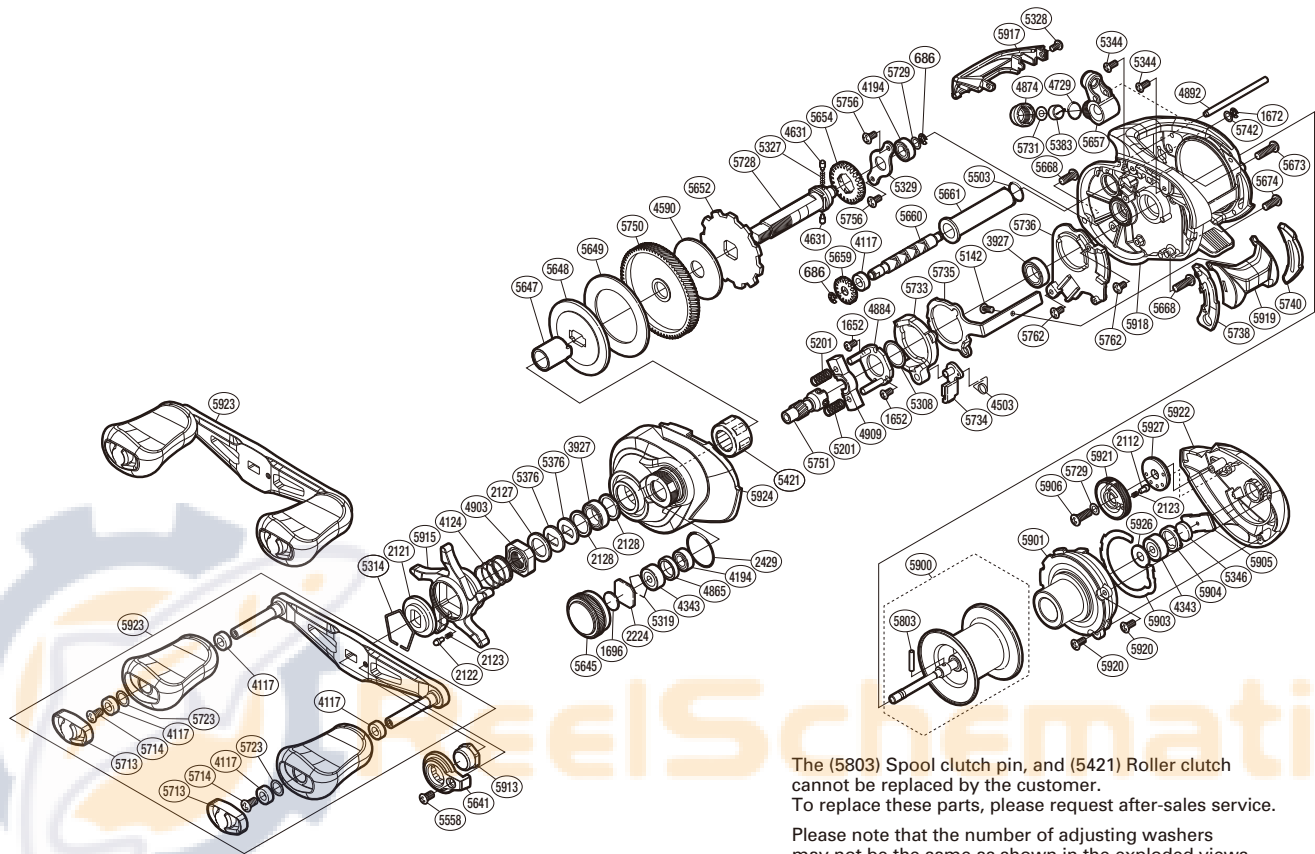


SHIMANO

CURADO DC S A-RB

CUDC151HG



The (5803) Spool clutch pin, and (5421) Roller clutch cannot be replaced by the customer. To replace these parts, please request after-sales service.

Please note that the number of adjusting washers may not be the same as shown in the exploded views. (Adjustment will vary with each individual product.)

(51RH39N151X)

Part No.	Description	Part No.	Description	Part No.	Description
BNT0686	E Lock	BNT5327	Idle Gear Spring	BNT5734	Clutch Pawl Assembly
BNT1652	Screw	BNT5328	Screw	BNT5735	Clutch Plate
BNT1672	E Lock	BNT5329	Drive Shaft Retainer	BNT5736	Clutch Guard
BNT1696	Cast Control Spacer	BNT5344	Screw	BNT5738	Clutch Bar Guide B
BNT2121	Star Drag Click Plate	BNT5346	Spacer B	BNT5740	Clutch Bar Guide A
BNT2122	Click Pin	BNT5376	Drag Spring Washer	BNT5742	Washer
BNT2123	Click Spring	BNT5383	Line Guide Pawl	BNT5750	Drive Gear
BNT2127	Star Drag Spacer	BNT5421	Roller Clutch Bearing	BNT5751	Pinion Gear
BNT2128	Washer	BNT5503	O Ring	BNT5756	Screw
BNT2224	Spool Tension Spacer	BNT5558	Screw	BNT5762	Screw
BNT2429	O Ring	BNT5641	Handle Nut Plate	BNT5803	Spool Clutch Pin
BNT3927	Ball Bearing	BNT5645	Cast Control Cap	BNT5900	Spool Assembly
BNT4117	Bushing	BNT5647	Roller Clutch Inner Tube	BNT5901	B Side Plate Substrate
BNT4124	Star Drag Spring	BNT5648	Key Washer	BNT5903	Washer
BNT4194	Ball Bearing	BNT5649	Drag Washer	BNT5904	Bearing Retainer
BNT4343	Ball Bearing	BNT5652	Anti-Reverse Ratchet	BNT5905	Spool Shaft Spacer
BNT4503	Clutch Pawl Spring	BNT5654	Idle Gear	BNT5906	Screw
BNT4590	Drag Washer	BNT5657	Line Guide Assembly	BNT5913	Handle Nut
BNT4631	Idle Gear Pin	BNT5659	Idle Gear	BNT5915	Star Drag
BNT4729	O Ring	BNT5660	Worm Shaft	BNT5917	Level Wind Protector
BNT4865	Bearing Spacer	BNT5661	Level Wind Guard	BNT5918	Frame Assembly
BNT4874	Pawl Cap	BNT5668	Screw	BNT5919	Clutch Button
BNT4884	Clutch Cam Retainer	BNT5673	Screw	BNT5920	Screw
BNT4892	Stabilizer Bar	BNT5674	Screw	BNT5921	Brake Dial
BNT4903	Star Drag Nut	BNT5713	Handle Knob Seal	BNT5922	Right Side Plate
BNT4909	Yoke	BNT5714	Screw	BNT5923	Handle Assembly
BNT5142	Screw	BNT5723	Washer	BNT5924	Left Side Plate
BNT5201	Yoke Spring	BNT5728	Drive Shaft	BNT5926	Washer
BNT5308	Washer	BNT5729	Spacer	BNT5927	Click Ring
BNT5314	Click Plate Retainer	BNT5731	Spacer		
BNT5319	Bearing Retainer	BNT5733	Clutch Cam	BNT4692	B-100 Oil (Accessory)